








PROJECT		REF		REV	ITEM CODE	
LOCATION		DATE			PAGE	

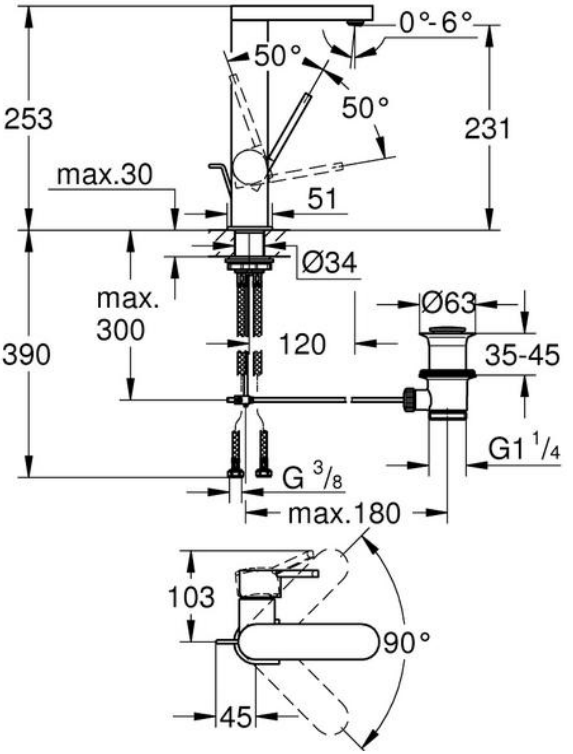
SANITARY WARE SPECIFICATION SHEET

Item Descriptions	GROHE (Germany) "Plus" Single-lever basin mixer 1/2" L-Size with pop-up waste set
Dimensions	L120 x W103 x H253 mm
Model	23851003
Finish	Chrome Plated
Country of origin	Germany
Manufacturer	GROHE Limited
Supplier	Acme Sanitary Ware Co. Ltd Mr. Eric Wong/ Mr. Don Yuen
Contact Tel/Fax	(852) 2388-7171 / (852) 2710-8012
E-mail	acme@acmesanitary.com.hk
Website	www.acmesanitary.com.hk

Illustration/ Drawing






"Plus"
Single-lever basin mixer 1/2" M-Size

- single hole installation
- metal lever
- **GROHE SilkMove** 28 mm ceramic cartridge
- with temperature limiter
- **GROHE StarLight** chrome finish
- **GROHE EcoJoy** SpeedClean mousseur 5.7 l/min
- **GROHE AquaGuide** adjustable mousseur
- rapid installation system
- swivel spout with easy docking
- swivel area 90°
- pop-up waste set 1 1/4"
- flexible connection hoses



Pop-up waste for easy operation

Elegant and easy to operate: close the pop-up waste by pulling the rod at the back of the tap and push down to open it again.

Note: [YouTube^{HK} \(GROHE PLUS Faucet Collection\) https://www.youtube.com/watch?v=OcYTTcnL174](https://www.youtube.com/watch?v=OcYTTcnL174)

* All information of the above is for the reference only. No prior notice is made if any changes.



PROJECT		REF		REV	ITEM CODE	
LOCATION		DATE			PAGE	

SANITARY WARE SPECIFICATION SHEET



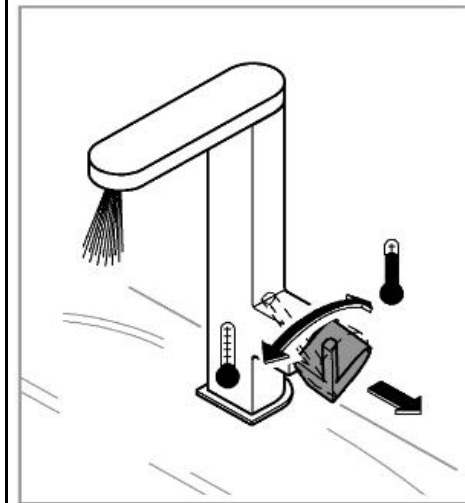
GROHE EcoJoy with water-saving function for reduced consumption

GROHE EcoJoy reduces water consumption by up to 50% without compromising on performance. Whenever you turn on your tap, you will enjoy a full jet of water while saving money nonetheless.



SpeedClean: easy cleaning thanks to silicone nozzle

Indeed, the name says it all: with the SpeedClean technology, you'll have limescale removed from the spout in the blink of an eye thanks to a nozzle made of silicone. A quick wipe with your fingers is all it takes to remove any limescale deposits, saving you a lot of time and effort!

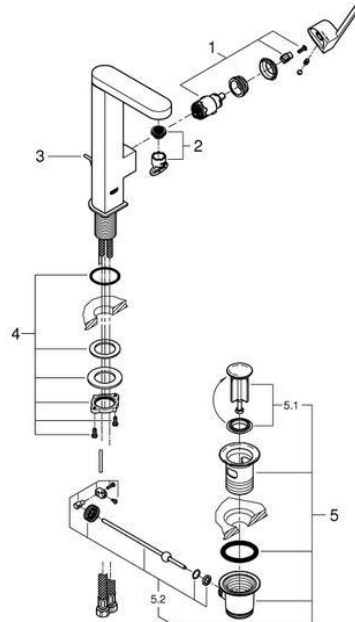


GROHE PLUS

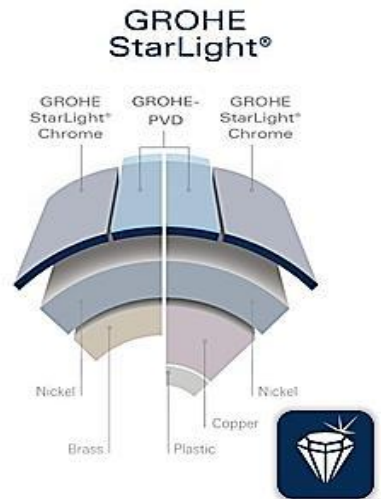
ACCURACY THAT GOES BEYOND DESIGN

Imagine a bathroom that offers not just sleek, cutting-edge, bold design, but also confidence and control. Where you can tell water temperature at a glance and switch water flow with just a swipe of your hand. A room where nothing is left to chance, where form delivers function in a sleek, tactile package. With the new GROHE Plus you can make it a reality.

This innovative range puts control and convenience in your hands, delivering accurate temperature information at a glance. The GROHE Plus range includes some faucets with a temperature display, so you know the water will always be just the right temperature. GROHE Plus also offers a new level of ergonomic comfort and practical function too, presented in a silhouette of architectural strength and elegance, with surfaces so sleek they invite interaction.



	5.2	180mm
	6	350mm



GROHE surface hardness



Chrome

PVD

GROHE scratch resistance



Chrome

PVD



THE FLEXIBLE SPOUT

Enjoy greater user comfort and flexibility thanks to a 90° swivel spout. Turning smoothly to left and right, the swivel spout adds a whole new level of convenience, allowing you the space to wash your face or soap your hands unhindered.

Note:

* All information of the above is for the reference only. No prior notice is made if any changes.